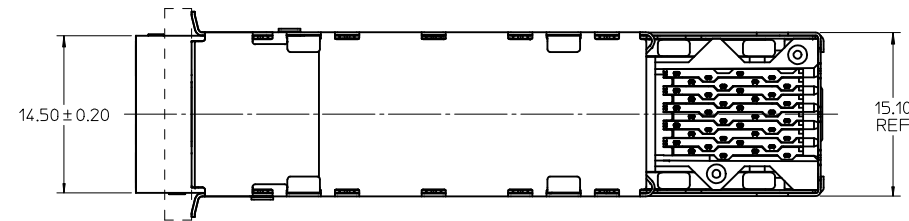
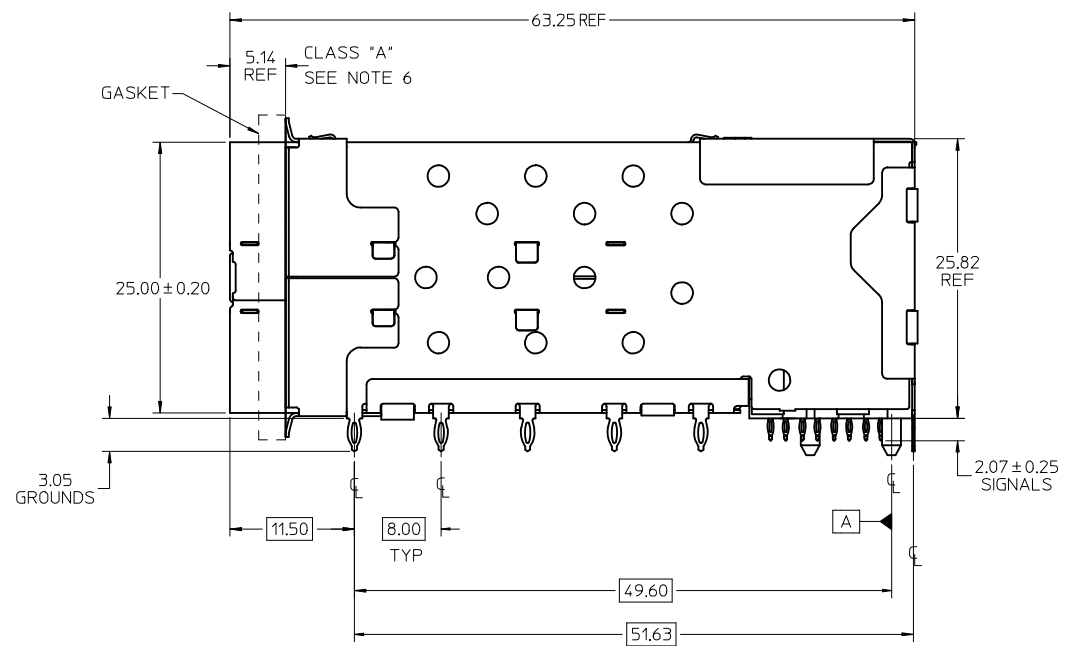
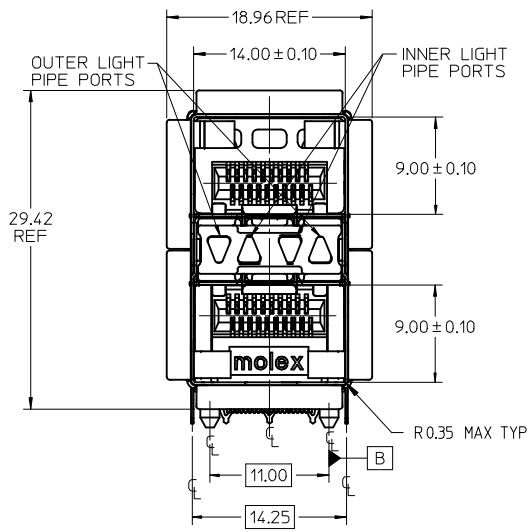


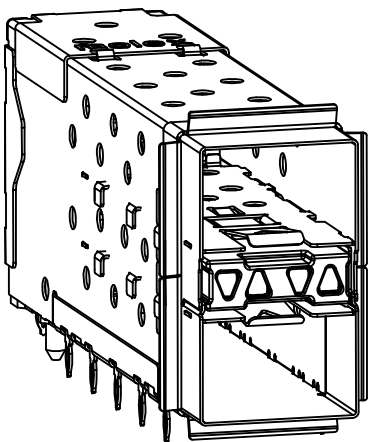
PART NUMBER	DESCRIPTION	VIEW	COMPLIANT TAIL PLATING
760900001	4 LIGHT PORTS	SEE PG 2	TIN / LEAD
760900002	INNER 2 PORTS	SEE PG 2	TIN / LEAD
760900003	OUTER 2 PORTS	SEE PG 2	TIN / LEAD
760905001	4 LIGHT PORTS	SEE PG 2	TIN
760905002	INNER 2 PORTS	SEE PG 2	TIN
760905003	OUTER 2 PORTS	SEE PG 2	TIN



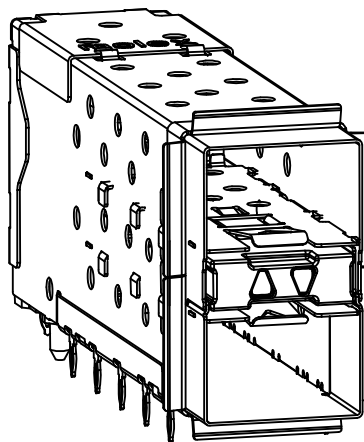
NOTES

- MATERIAL:
 - EMI GASKET: CONDUCTIVE POLYMER
 - CAGE: NICKEL SILVER, THICKNESS: 0.25mm
 - CAGE FLANGE: STAINLESS STEEL
 - CONNECTOR HOUSING: GLASS FILLED HIGH TEMP PLASTIC, COLOR: BLACK
 - OVERMOLDED TERMINAL HOUSING: GLASS FILLED HIGH TEMP PLASTIC, COLOR: BLACK
 - TERMINALS: BRASS
 - LIGHT PIPES: POLYCARBONITE, 94 V-0, CLEAR
 - LIGHT PIPE HOUSING: ZINC
- FINISH
 - LIGHT PIPE HOUSING: 150 MICRONS NICKEL OVER 150 MICRONS COPPER
 - TERMINALS: CONTACT AREA: 0.76 MICRONS MIN. HARD GOLD OVER 1.27 MICRONS MIN. NICKEL.
 - COMPLIANT TAIL - TIN/LEAD OPTION: 0.76 - 1.52 MICRONS 90/10 TIN/LEAD OVER 0.76 - 1.52 MICRONS NICKEL
 - COMPLIANT TAIL - TIN OPTION: 0.76 - 1.52 MICRONS TIN OVER 0.76 - 1.52 MICRONS NICKEL
- REFER TO PS-75310-001 PRODUCT SPEC FOR ALL ELECTRICAL, MECHANICAL, AND ENVIRONMENTAL SPECIFICATIONS.
- LIGHT PIPE PAD LAYOUT IS FOR 0805 LOW-PROFILE LED PACKAGE. FOR OTHER RECOMMENDED LAYOUTS REFER TO MOLEX'S REPORT TS-75310-001.
- REFER TO PK-75462-001 FOR ALL PACKAGING SPECIFICATIONS.
- ALL EXTERIOR SURFACES TO BE CLASS "B" SURFACE EXCEPT THE UNDER SIDE OF THE CAGE WHERE THE PCB WOULD BE LOCATED AND AS NOTED. THE SURFACES TO CONFORM TO THE MOLEX COSMETIC DOC PS-45499-002.

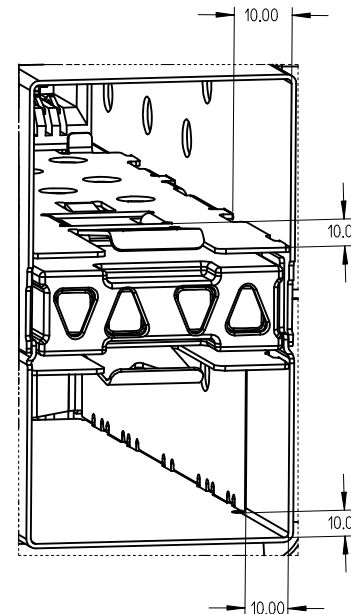
REVISED DIMENSIONS EC NO: UCP2009-0761 DRWN: JLONG 2008/09/29 CHKD: 2008/09/29 APPR: MBANAKIS2008/09/30	QUALITY SYMBOLS 0 0	GENERAL TOLERANCES (UNLESS SPECIFIED)		SCALE 3:1	DESIGN UNITS METRIC	THIRD ANGLE PROJECTION	REVISE ON CAD ONLY	
				DIMENSION STYLE MM ONLY		TITLE		
		4 PLACES ± --- ± ---		DRAWN BY JJANTELEZ		DATE 01-18-2007		STACKED SFP+ 2X1 ASS'Y WITH ELASTOMERIC GASKET AND LIGHTPIPES
		3 PLACES ± --- ± ---		CHECKED BY MSANDBERG		DATE 01-18-2007		
2 PLACES ± 0.13 ± ---		ANGULAR ± 5 °		APPROVED BY KREGNIER		DATE 01-18-2007		
1 PLACE ± 0.25 ± ---		DRAFT WHERE APPLICABLE MUST REMAIN WITHIN DIMENSIONS		MATERIAL NO. SEE CHART		DOCUMENT NO. SD-76090-001		
				THIS DRAWING CONTAINS INFORMATION THAT IS PROPRIETARY TO MOLEX INCORPORATED AND SHOULD NOT BE USED WITHOUT WRITTEN PERMISSION		SHEET NO. 1 OF 4		



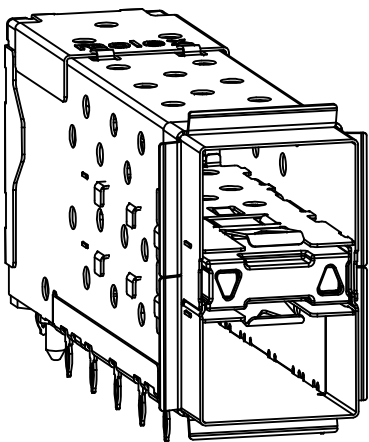
760900001 AND 760905001
WITH INNER AND OUTER LIGHT PIPES



760900002 AND 760905002
WITH INNER LIGHT PIPES

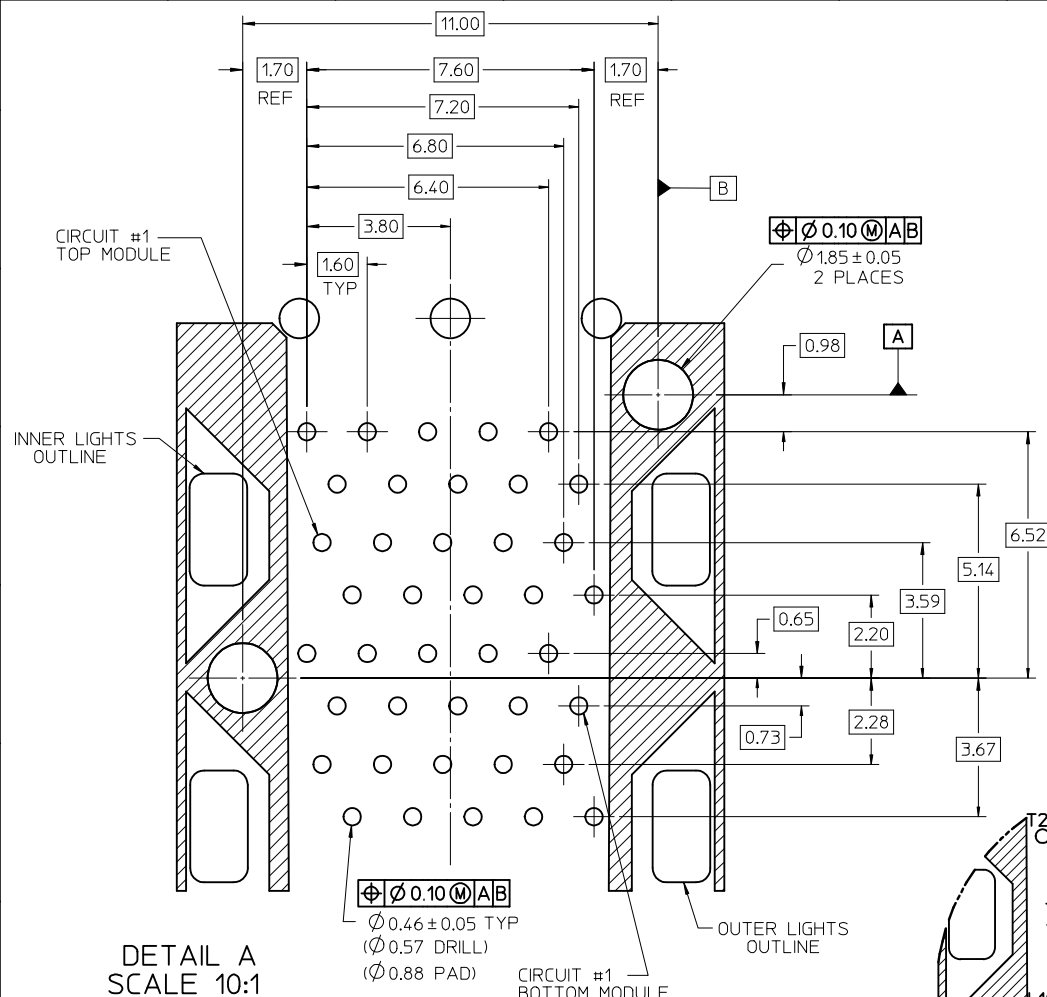


MODULE PORT DETAIL
10.00mm AREA SETBACK IN CAGES IS TO BE FREE OF ANY HOLES, DIMPLES, SEAMS OR ANY OTHER FEATURES (4 SIDES PER MODULE PORT)



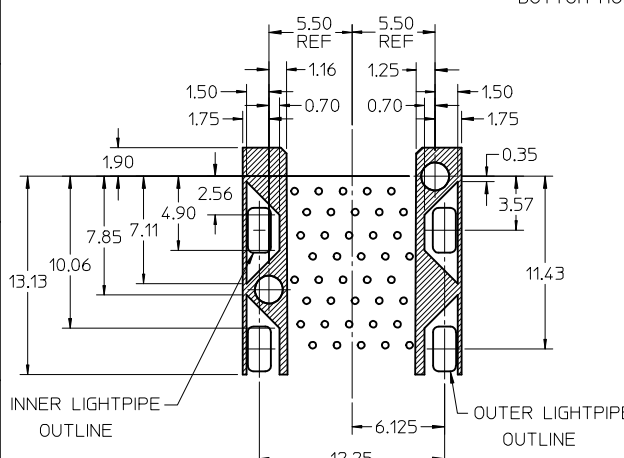
760900003 AND 760905003
WITH OUTER LIGHT PIPES

SEE SHEET 1 EC NO: UCP2009-0761 DRWN: JLONG 2008/09/29 CHKD: 2008/09/29 APPR: MBANAKIS2008/09/30	QUALITY SYMBOLS ▽ - 0 ∇ - 0	GENERAL TOLERANCES (UNLESS SPECIFIED)		SCALE 3:1	DESIGN UNITS METRIC	THIRD ANGLE PROJECTION	REVISE ON CAD ONLY		
		4 PLACES ± --- ± ---	3 PLACES ± --- ± ---	DIMENSION STYLE MM ONLY	TITLE STACKED SFP+ 2X1 ASS'Y WITH ELASTOMERIC GASKET AND LIGHTPIPES				
		2 PLACES ± 0.13 ± ---	1 PLACE ± 0.25 ± ---	DRAWN BY JJANTELEZ 01-18-2007 CHECKED BY MSANDBERG 01-18-2007	MOLEX INCORPORATED				
		ANGULAR ± 5 °		APPROVED BY KREGNIER 01-18-2007	MATERIAL NO. SEE CHART	DOCUMENT NO. SD-76090-001	SHEET NO. 2 OF 4		
DRAFT WHERE APPLICABLE MUST REMAIN WITHIN DIMENSIONS		THIS DRAWING CONTAINS INFORMATION THAT IS PROPRIETARY TO MOLEX INCORPORATED AND SHOULD NOT BE USED WITHOUT WRITTEN PERMISSION							

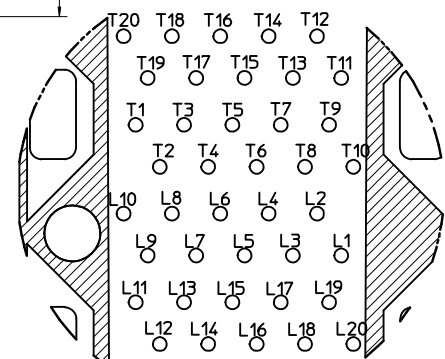


DETAIL A
SCALE 10:1

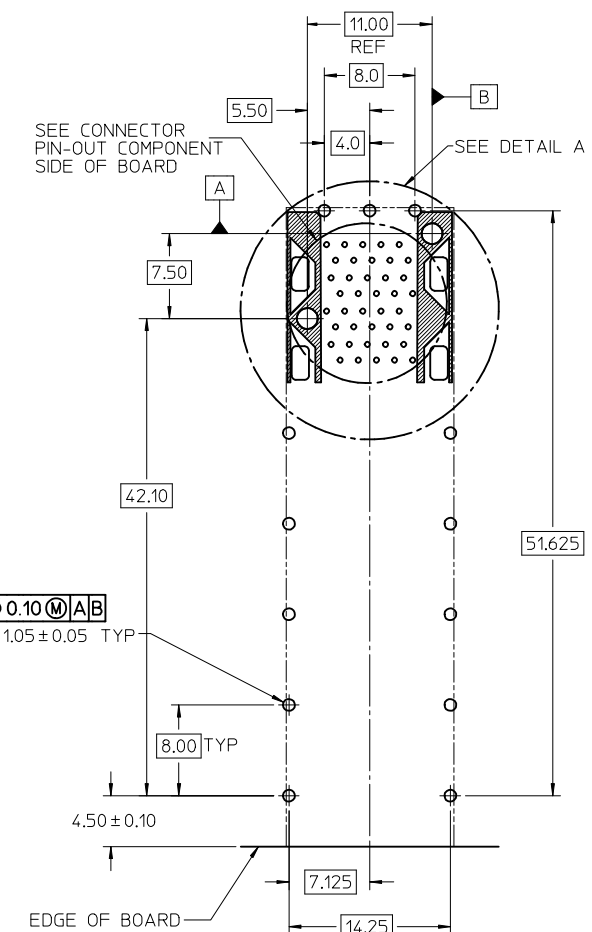
$\Phi 0.10 \text{ (M) A/B}$
 $\Phi 0.46 \pm 0.05$ TYP
 ($\Phi 0.57$ DRILL)
 ($\Phi 0.88$ PAD)



KEEPOUT ZONE DETAIL
SCALE 4:1

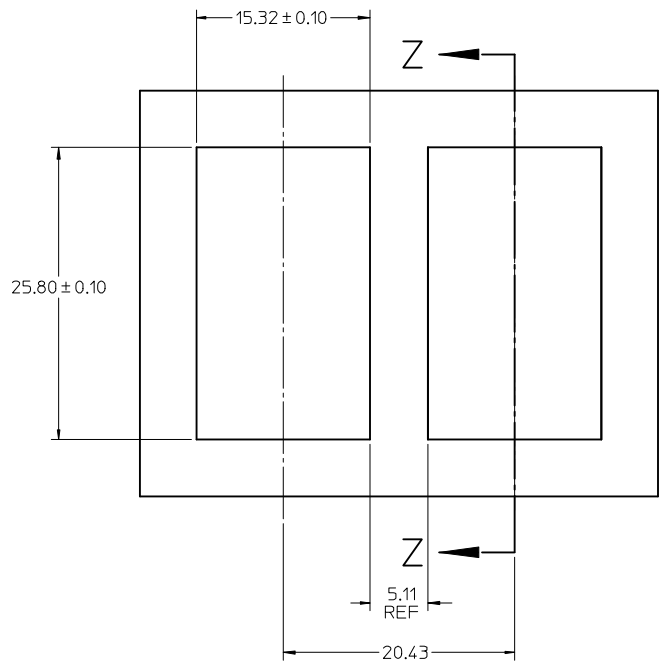


CONNECTOR PIN-OUT
COMPONENT SIDE OF BOARD
SCALE 10:1

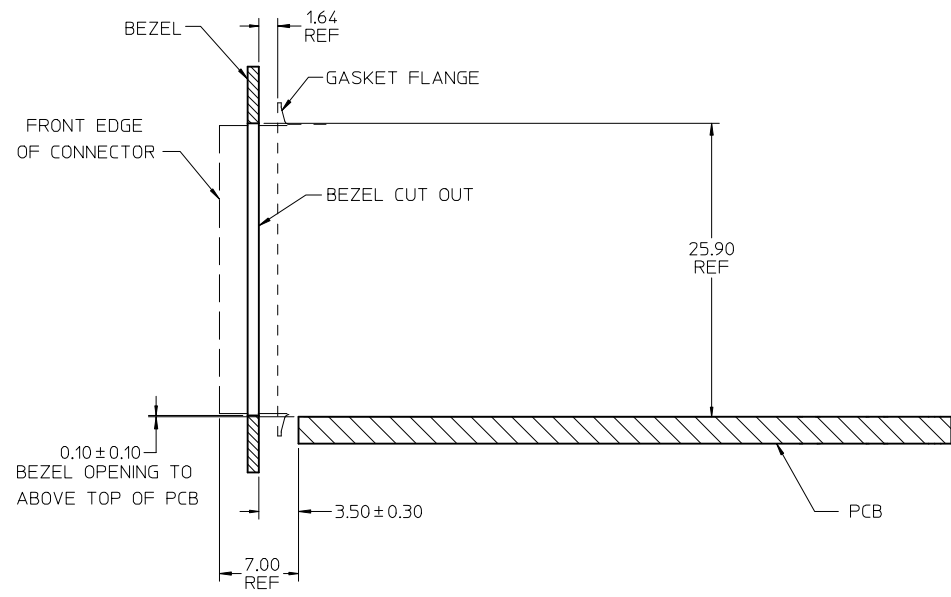


RECOMMENDED PCB LAYOUT - COMPONENT SIDE
 MINIMUM PCB THICKNESS OF 157mm
 THE ENTIRE AREA OF THE CONNECTOR FOOTPRINT
 TO BE CONSIDERED THE KEEP OUT AREA INDICATED
 BY THE DASHED LINE

SEE SHEET 1 EC NO: UCP2009-0761 DRWN: JLONG 2008/09/29 CHKD: 2008/09/29 APPR: MBANAKIS2008/09/30	QUALITY SYMBOLS	GENERAL TOLERANCES (UNLESS SPECIFIED)	SCALE 3:1	DESIGN UNITS METRIC	THIRD ANGLE PROJECTION	REVISE ON CAD ONLY															
	▼ - 0 ∇ - 0	<table border="1"> <thead> <tr> <th></th> <th>mm</th> <th>INCH</th> </tr> </thead> <tbody> <tr> <td>4 PLACES</td> <td>± ---</td> <td>± ---</td> </tr> <tr> <td>3 PLACES</td> <td>± ---</td> <td>± ---</td> </tr> <tr> <td>2 PLACES</td> <td>± 0.13</td> <td>± ---</td> </tr> <tr> <td>1 PLACE</td> <td>± 0.25</td> <td>± ---</td> </tr> </tbody> </table> ANGULAR ± 5 °		mm	INCH	4 PLACES	± ---	± ---	3 PLACES	± ---	± ---	2 PLACES	± 0.13	± ---	1 PLACE	± 0.25	± ---	DIMENSION STYLE MM ONLY	TITLE	STACKED SFP+ 2X1 ASS'Y WITH ELASTOMERIC GASKET AND LIGHTPIPES	
				mm	INCH																
	4 PLACES	± ---	± ---																		
3 PLACES	± ---	± ---																			
2 PLACES	± 0.13	± ---																			
1 PLACE	± 0.25	± ---																			
DRAFT WHERE APPLICABLE	APPROVED BY DATE	APPROVED BY DATE	MATERIAL NO. DOCUMENT NO.		SHEET NO. 3 OF 4																
MUST REMAIN WITHIN DIMENSIONS	KREGNIER 01-18-2007	MSANDBERG 01-18-2007	SEE CHART SD-76090-001		THIS DRAWING CONTAINS INFORMATION THAT IS PROPRIETARY TO MOLEX INCORPORATED AND SHOULD NOT BE USED WITHOUT WRITTEN PERMISSION																



BEZEL CUT-OUT CENTER SPACING DETAIL
BEZEL THICKNESS 0.8-2.6



SECTION Z-Z

SEE SHEET 1 EC NO: UCP2009-0761 DRWN: JLONG 2008/09/29 CHKD: 2008/09/29 APPR: MBANAKIS2008/09/30	QUALITY SYMBOLS ▽-0 ▽C-0	GENERAL TOLERANCES (UNLESS SPECIFIED)		SCALE 3:1	DESIGN UNITS METRIC	THIRD ANGLE PROJECTION	REVISE ON CAD ONLY	
			mm	INCH	DIMENSION STYLE MM ONLY		TITLE	
		4 PLACES	± ---	± ---	DRAWN BY JJANTELEZ DATE 01-18-2007		STACKED SFP+ 2X1 ASS'Y WITH ELASTOMERIC GASKET AND LIGHTPIPES	
		3 PLACES	± ---	± ---	CHECKED BY MSANDBERG DATE 01-18-2007		MOLEX INCORPORATED	
						MATERIAL NO. SEE CHART	DOCUMENT NO. SD-76090-001	
							SHEET NO. 4 OF 4	
						THIS DRAWING CONTAINS INFORMATION THAT IS PROPRIETARY TO MOLEX INCORPORATED AND SHOULD NOT BE USED WITHOUT WRITTEN PERMISSION		